



inspur



OCP CHINA DAY

June 25th
2019
Beijing

OCP Software Projects Deep Dive

Rajeev Sharma | Director, Software & Technologies
rajeev@opencompute.org

25th June, 2019

OCP Projects and Sub-projects



NETWORKING

ONL, ONIE, SAI,
SONiC



RACK & POWER

Adv cooling Solutions
Power Shelf Interoperability
OpenRack V3



STORAGE

Archival
Cloud Fast Fail
API



SERVER

PCI 3.0 MEZZ
Open Domain Specific
Architecture (ODSA)
OCP Accelerator Infrastructure
(OAI)



DC Facility

Modular DC



HPC



HW MGMT

OpenRMC



TELCO

OpenEdge



Open Sys FW



SECURITY

*Project
Zipline*

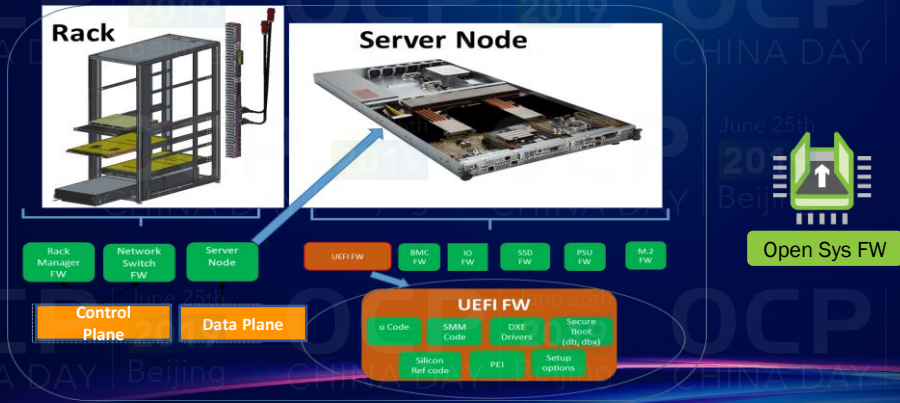
Open System Firmware



Open Sys FW

Open System Firmware

- Where does System Firmware reside in a typical Cloud/Rack ?



Need for OSF to be Open !!

- "Closed" System firmware
- Different Silicon vendors have their own version of boot flows.
- No one has single implementation
- Current firmware dev model not been able to keep pace with multiple cloud HW vendors.

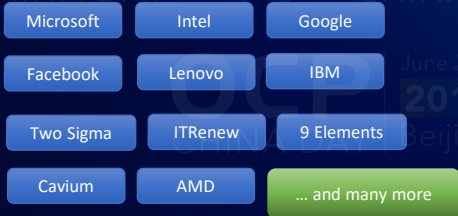


Open Sys FW

CATCH UP!

Open System Firmware Activities

- Major Companies contributing to the OSF development



GitHub Repositories Collateral link

<https://github.com/opencomputeproject/OSF>

- Bi-weekly OSF discussions
 - Architectural reviews
 - Workstream progress
 - Design reviews
 - Agenda setting
 - Miscellaneous collaborative discussions

Open RMC Rack Manager Controller



HW MGMT
(openRMC)

OCP OpenRMC Project

- Motivation from System Firmware (BIOS) and BMC Firmware
- Needed to work on Rack Manager
 - OCP is designing Rack and Power
 - Not just the compute manager but a Rack level Manager
- The Rack Manager will run-
 - Firmware
 - Software



HW MGMT
(OpenRMC)

OCP Data Traffic Interfaces

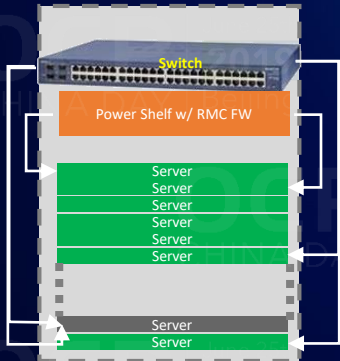


HW MGMT
(openRMC)

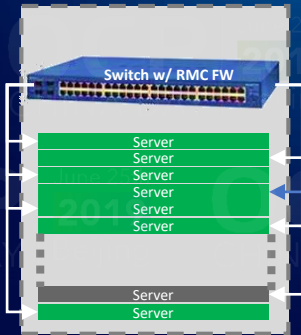
A piece of hardware that provides Rack Management Functions



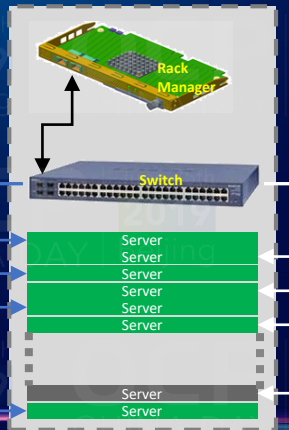
OpenRMC proposed configurations



OpenRack

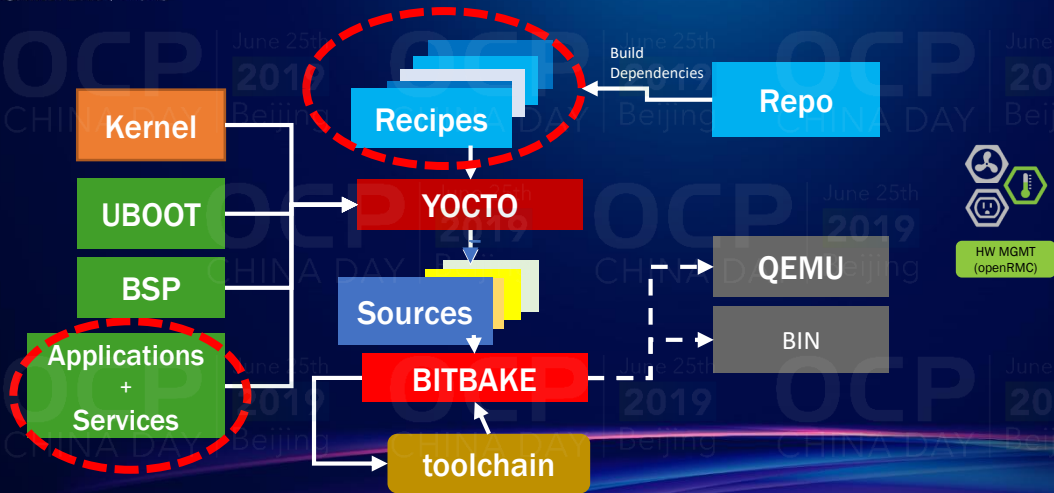


EIA, OpenRack

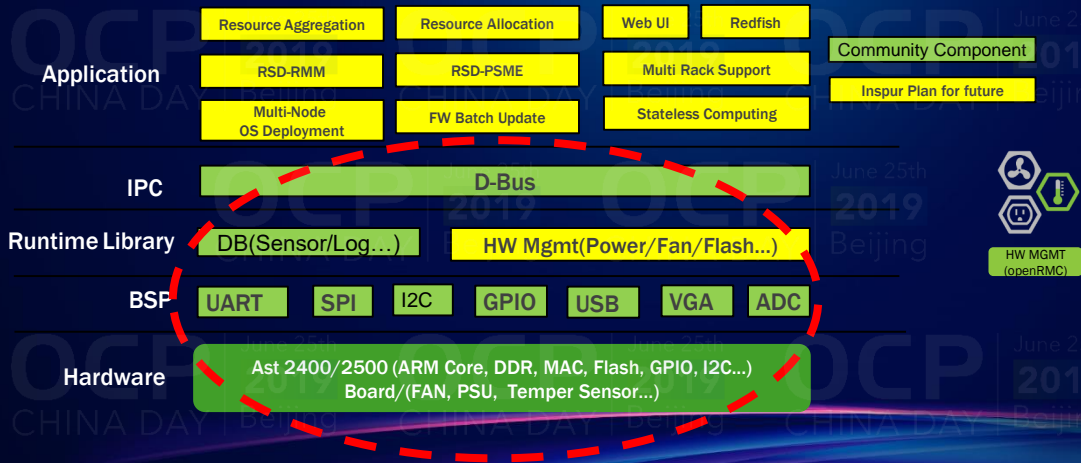


Olympus

Common MSFT Build Process



Inspur Firmware Stack



Open Networking Software



OCPC Networking Projects

ONIE

Open NW Install Env



- Provides an OS install environment
- Makes writing and running installers easier
- It is a small Linux based OS itself
- <https://github.com/opencomputeproject/onie>

SAI Switch Abstraction Interface



- Provides the standardized C APIs to program the ASIC
- ASIC is a microchip designed for a particular application
- <https://github.com/opencomputeproject/SAI>

OCP Networking Projects...Cont'd



Open Network Linux

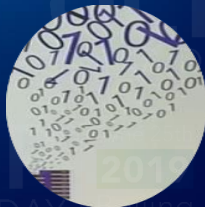
- Linux distribution for bare metal switches
- NOS that ONIE would install
- Think of it as a collection of software packages, utilities & drivers that is run on OCP
- <https://github.com/opencomputeproject/OpenNetworkLinux>



Software for Open Networking in Cloud

- Built on SAI
- Breaks monolithic switching software into containerized components
- Enables failure recovery and upgrades with zero downtime.
- Based on 4 Principals- Control, Extensibility, Agility and Collaboration
- <https://github.com/Azure/SONiC>

Project Zipline



OCP Project Zipline

Why Project Zipline

Continuous Data Drives the need

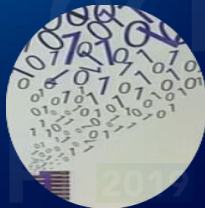
Data Growth Projections

IDC predicts Global DataSphere will grow from 33 Zettabytes (ZB) in 2018 to 175 ZB by 2025



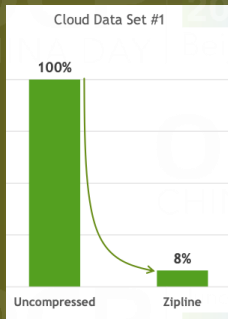
OCP Project Zipline...Cont'd

- Targeted for legacy and modern data sets
 - Covering usage scenarios from Edge to Cloud
- Full solution stack Implementation
 - Algorithms + Software + Hardware
- Compression without compromise
 - Always-on data processing enabled by trifecta of high compression ratios + high throughput + low latency



OCP Zipline Compression gains

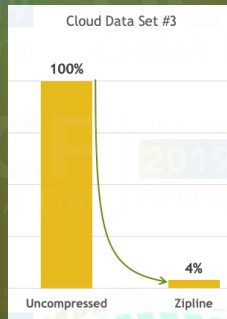
Data Sets



Application Service Logs



IoT Text Files



System Logs

OCP Zipline...Cont'd

Use Cases

Network Data Processing

IoT

Storage Archival Systems

Productivity Applications

Smart SSD's

Analytics

Cloud Migration Appliances

General purpose Microprocessors

Database accelerators

Partners

CPU

Intel, AMD, ARM, MARVELL and SiFive

Network

Broadcom, FUNGIBLE, Mellanox

Storage

EIDETICOM, NGD Systems, PureStorage

EDA

Cadence, Synopsys

OCP | June 25th
CHINA DAY | **2019**
Beijing

OCP | June 25th
CHINA DAY | **2019**
Beijing

OCP | June 25th
CHINA DAY | **2019**
Beijing

OCP | June 25th
CHINA DAY | **2019**
Beijing

Thank you

OCP | June 25th
CHINA DAY | **2019**
Beijing

OCP | June 25th
CHINA DAY | **2019**
Beijing

OCP | June 25th
CHINA DAY | **2019**
Beijing

OCP | June 25th
CHINA DAY | **2019**
Beijing